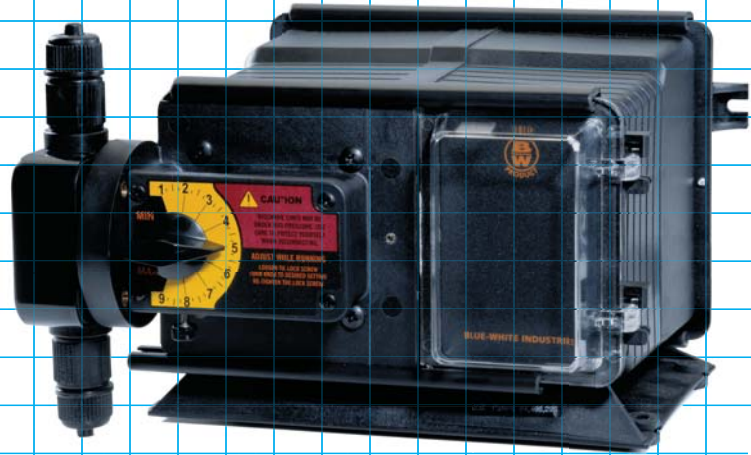


C-1100X

Fixed Speed

Stroke Length Adjustment



Features:

- Double-ball inlet and outlet cartridge type ceramic check valves. Chemical resistant PVDF pump head, valve body and fittings, ceramic balls, Viton static seals and TFE/P ball seat o-rings. No metal springs are used.
- 5-100% stroke adjustment results in a high frequency of small injections per minute.
- Outputs to 947 ml/min (360 GPD).
- Output pressures to 150 PSI.
- Teflon coated EP diaphragm.
- PVDF suction (foot) valve with Viton and TFE/P o-rings, ceramic check ball and removable polypropylene filter screen.
- Includes 3/8" OD suction and discharge tubing, injection fitting with spring-loaded check valve and all mounting hardware.
- Durable housing of chemical resistant Valox (PBT) thermoplastic.

Specifications:

Max. working pressure: 150 psig (10.3 bar)
Max. fluid temperature: 130° F (54° C)
Max. Ambient temperature: ..14° to 110° F/ -10° to 43° C
Maximum viscosity: 1,000 Centipoise
Maximum suction lift: 10 ft. Water 0 psig
Output adjustment range:20:1
Stroke length:.....5-100%
Duty cycle:.....Continuous
Enclosure:NEMA type 2, (Ip21)
Approximate shipping wt: ...10 lb. (4.2 kg)

Voltage (max amp): 115VAC/60Hz, 14 & 30 rpm = 1.37 amp
45, 60, 125, 250 rpm = 1.87 amp
230VAC/60Hz, 14 & 30 rpm = 0.64 amp
45, 60, 125, 250 rpm = 0.74 amp
220VAC/50Hz, 14 & 30 rpm = 0.68 amp
45, 60, 125, 250 rpm = 1.14 amp
240VAC/50Hz, 14 & 30 rpm = 0.66 amp
45, 60, 125, 250 rpm = 1.04 amp
Power Cord Plug Type:..... 115V60Hz = NEMA 5/15 (USA)
230V60Hz = NEMA 6/15 (USA)
220V50Hz = CEE 7/VII (EUROPE)
240V50Hz = CEE 7/VII (U.K)

Materials of Construction:

Wetted components:

Pump Head:PVDF (options: Teflon, Acrylic)
Pump Head Inlet/outlet Valves:
Cartridge valve body:PVDF
Tube adapters:PVDF
Check Balls:Ceramic
Ball Seat O-ring:.....TFE/P (optional EP)
Static Seal O-ring:Viton[®] (optional EP)
Suction Tubing:Clear PVC
Discharge Tubing:.....Natural Polyethylene (LLDPE)

Suction Footvalve/Strainer:

Body & Tubing adapter:.....PVDF (optional Teflon)
Strainer:Polypropylene
Check Ball:Ceramic (optional Teflon poppet)
Ball Seat O-ring:.....TFE/P (optional EP)
Static Seal O-ring:Viton[®] (optional EP)

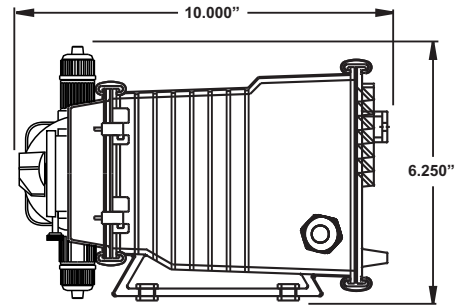
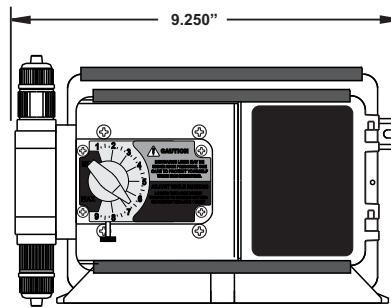
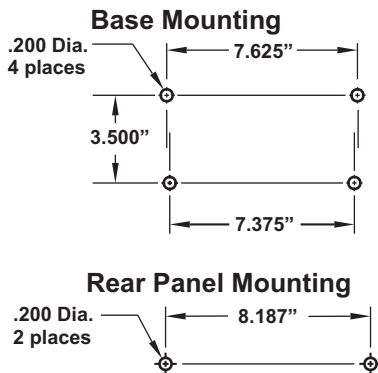
Injection/Check valve:

Body & insert:Polypropylene (optional PVDF, Teflon)
Check Ball:Ceramic (optional Teflon poppet)
Spring:Hastelloy C-276
Ball Seat O-ring:TFE/P (optional EP)
Static Seal O-ring:Viton[®] (optional EP)

Blue-White Industries, Ltd.

CHEM-FEED® Diaphragm Metering Pumps

Dimensions:



Model Number Matrix:

MODEL		C	11	X																
Pump system selection		C = Pump without tank system T = Pump mounted on STAR-3 tank																		
Output Control		V = Digital speed control with external input F = Analog speed control C = Analog timer, 5 sec. Cycle - 100% duty A = Analog timer, 60 sec. Cycle - 100% duty E = Digital batch timer with external input X = No output control - fixed feed rate																		
Maximum Motor RPM		0 = 14 RPM 3 = 60 RPM 1 = 30 RPM 4 = 125 RPM 2 = 45 RPM 5 = 250 RPM																		
Power Supply (motor protection)		4 = 115V60Hz (TP) 5 = 220V50Hz (TP) 6 = 230V60Hz (TP) 7 = 240V50Hz (TP) TP = Thermal protection																		
Cam Stroke Length		1 = .125" 3 = .187" 2 = .055" 4 = .100"																		
Electrical Options		X = Standard Equipment A = Junction box replaces power cord P = Power cord and junction box R = 230V Power cord w/NEMA 6/15 plug Z = Proportional feed system - JBox/Cord																		
Footvalve / Tank Capacity		0 = C-340 1 = C-345 2 = C-340-6T A = 7 Gallons (U.S.) B = 15 Gallons (U.S.) C = 30 Gallons (U.S.)																		
Injection Fitting		0 = A-014N (Polypropylene - 1/2 lb spring) 1 = C-395N (Polypropylene - 6 lb spring) A = A-014-6T (Teflon - 1/2 lb spring) B = C-395-6T (Teflon - 6 lb spring) C = A-014NK (PVDF - 1/2 lb spring) D = C-395NK (PVDF - 6 lb spring)																		
Elastomer Material		V = Viton E = EP																		
Diaphragm Style		0 = Large Teflon/EP 1 = Large Teflon/Viton 6 = Small Teflon / EP 7 = Small Teflon / EP																		
Pump Head Style		0 = Large Diaphragm 2 = Small Diaphragm 5 = Large Pressure release 7 = Large Diaphragm w/single ball valve																		
Pump Head Material		0 = Injection molded PVDF 4 = Machined Teflon 5 = Machined Acrylic																		

Flow rate and pressure capacities:

Max Output at 0 PSI				Strokes	Max	115V/60Hz		230V/60Hz		220V/50Hz	
GPD	GPH	LPH	OZ/MIN	Per minute	PSI	Model Number	Model Number	Model Number	Model Number	Model Number	
57.7	2.4	9.1	5.1	60	150	C11X344X000V00	C11X364X000V00	C11X354X000V00			
119.7	4.9	18.9	10.6	125	150	C11X444X000V00	C11X464X000V00	C11X454X000V00			
155.9	6.4	24.6	13.8	125	150	C11X441X000V00	C11X461X000V00	C11X451X000V00			
260.8	10.8	41.1	23.1	250	100	C11X544X000V00	C11X564X000V00	C11X554X000V00			
360.0	15.0	56.8	32.0	250	25	C11X543X000V00	C11X563X000V00	C11X553X000V00			

